

Systems Engineering Conference

Program Managers Panel

MK 6 MOD 1 Guidance System Development

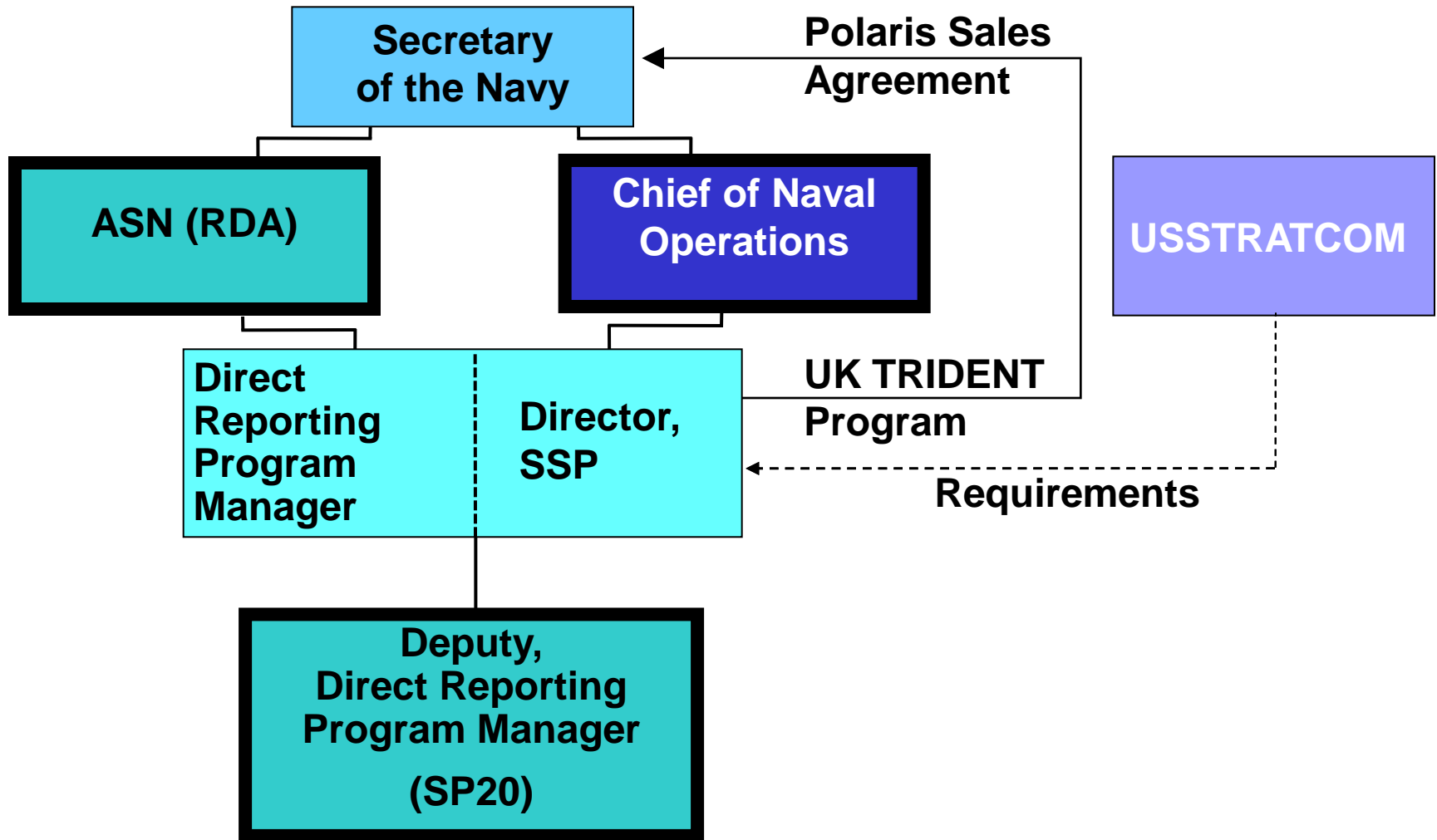
CDR John Gerken

Strategic Systems Program(SSP)

Fire Control/Guidance Branch Head

October 2012

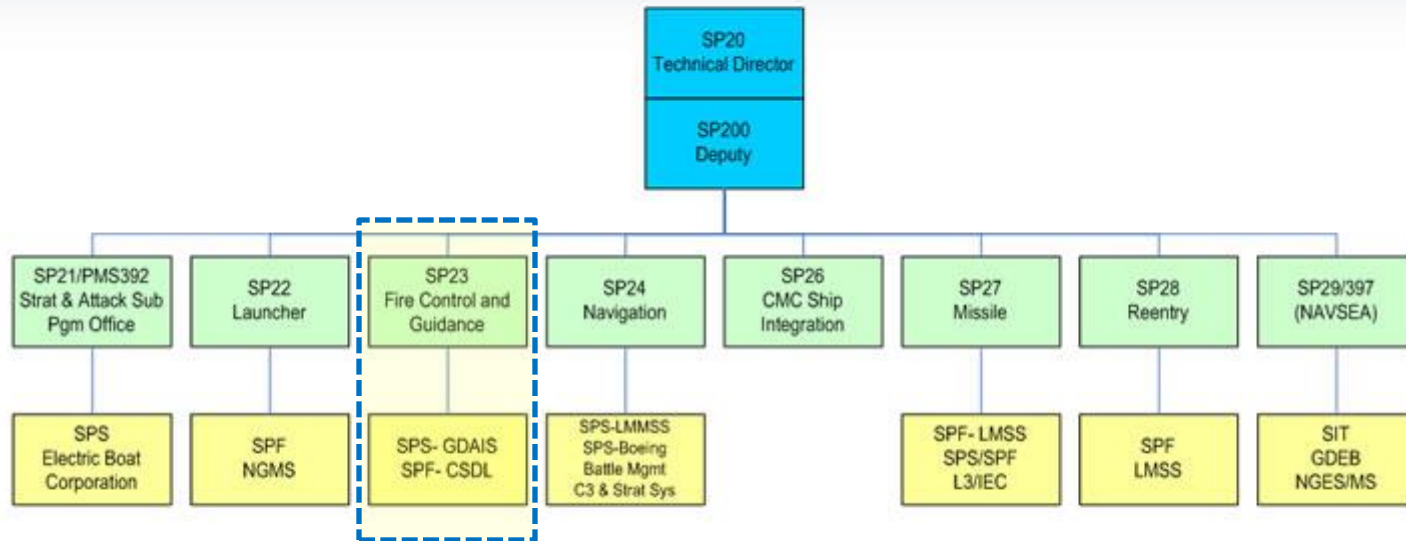
SSP Organizational Relationships



Strategic Systems Program Organization

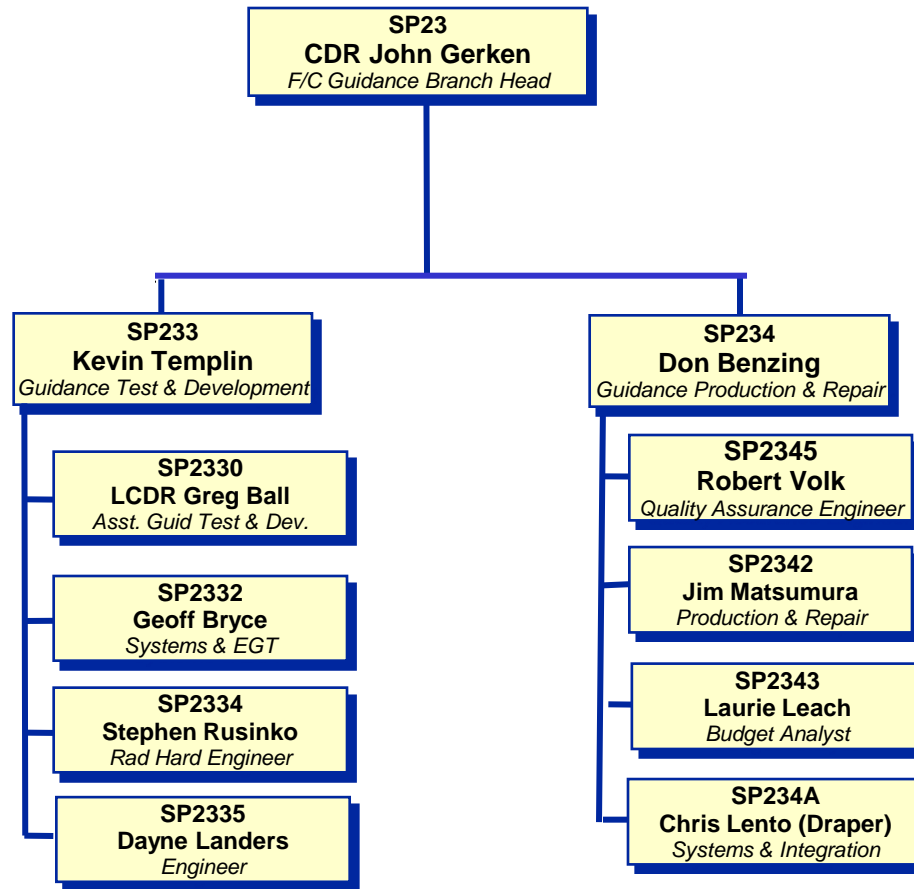


SP20 Government/Contractor Partnerships

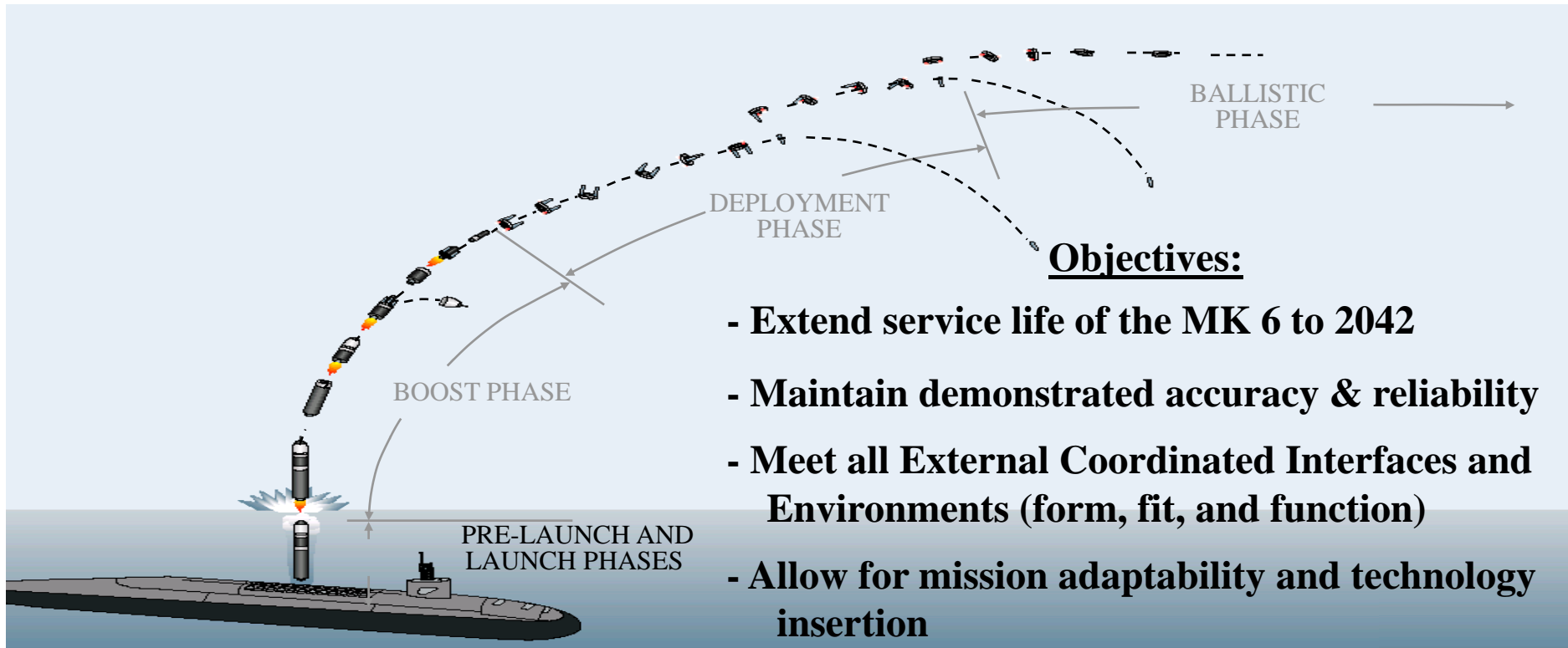


Streamlined Organization – Critical Partnerships

SP23 Guidance Organization

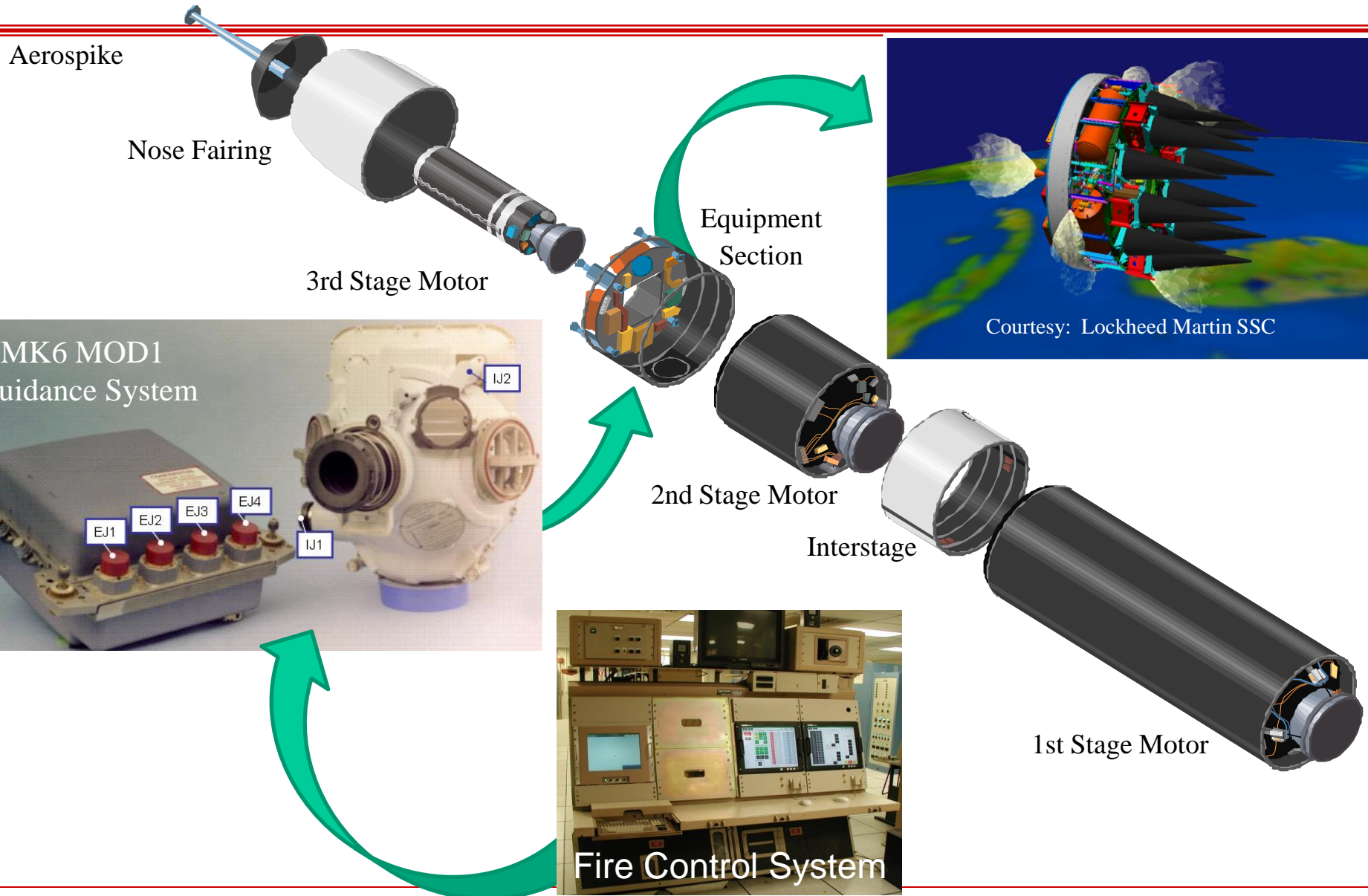


Objectives of the MK 6 MOD 1 Guidance System Development



	Concept Dev	Prelim Design	Detailed Design	Prototype Integration and Test					Production			
	03	04	05	06	07	08	09	10	11	12	13	14
Major Milestones	Architecture Review		PDR	IDR	CDR	1 st Prototype			EGT	1 st Flt	2 nd Flt	1 st Prod
	▲		▲	▲	▲	▲	▲		▲	▲	▲	▲
					▲ HWIL							

MK 6 MOD 1 Guidance in Context



MK 6 MOD 1 Design Goals

- **Develop an architecture/ approach that:**
 - Optimizes supportability (reduce Life Cycle Cost)
 - Addresses known obsolescence, reliability, and maintainability issues
 - Enables efficient integration with early identification of technical risks
- **Long-term Supportability**
 - Architecture modular to critical guidance functions and technologies
 - Modular to accelerometers, gyros, stellar
 - Indifferent to memory, processors (future technology insertion)
 - Reduce out-year repair complexity and cost
- **Future Flexibility**
 - Minimize impact to tactical hardware / software and crew for future flexibility