



Office of the Deputy Chief of Staff, G-4
Sustainment Directorate
Munitions Division

Deputy Chief of Staff, G-4
Headquarters, Department of the Army



With all he's carrying



Where would he be without Ammo ?



MISSION

Provide Army Staff responsibility and oversight for policy, plans, and resources for:

- Conventional ammunition**
- Missiles**
- Toxic chemical storage**
- Ammunition surveillance**
- Demilitarization**
- Explosives safety and environmental compliance**

Specifics:

Distribution of the Army's munitions stockpile.

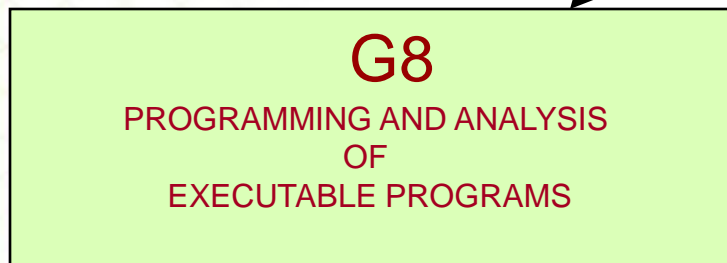
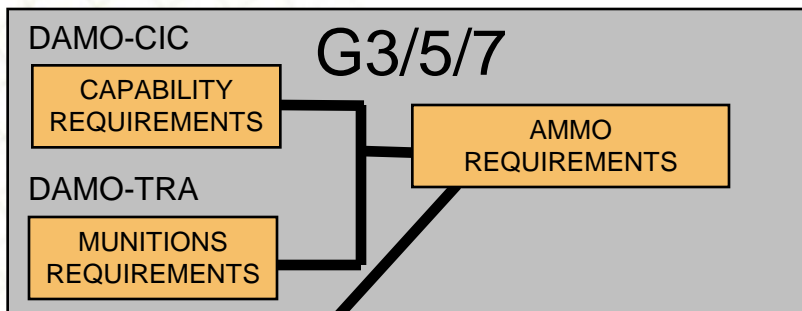
Perform ammunition and missile stockpile management functions.

Develop policy for and monitor ammo surveillance and environmental compliance.

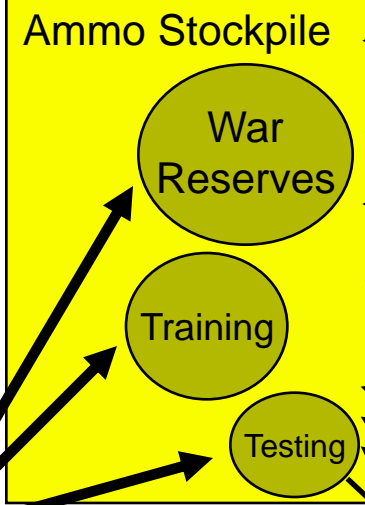
Oversight on emerging missile, ammo and ammo information Mgt systems.



How Ammo Works

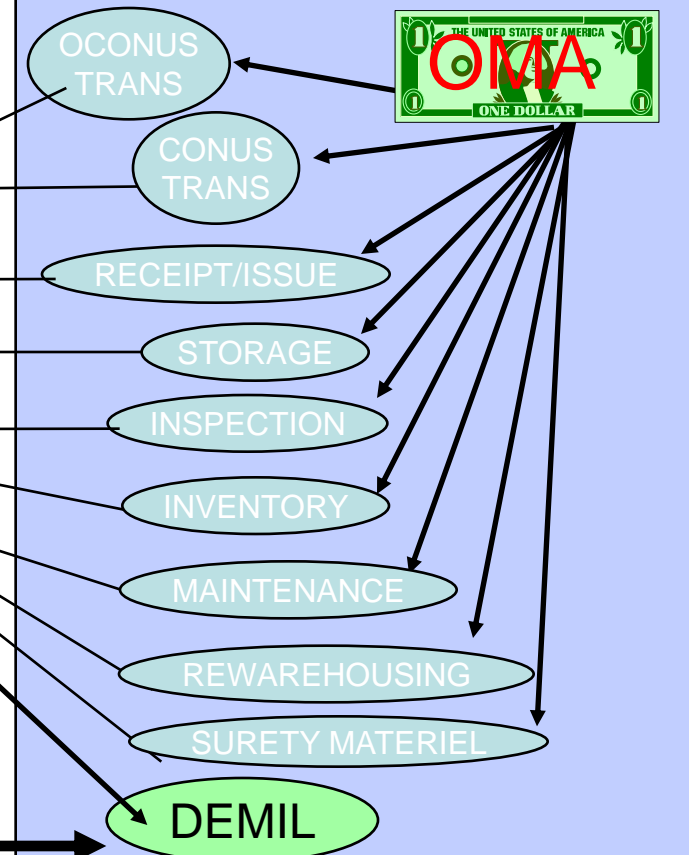


MACOMs/USAMC



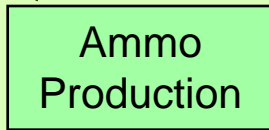
G4/USAMC/ASA(ALT)

Logistical Functions



USAMC/ASA(ALT)/PEO AMMO

Procurement Functions



(Overhead)

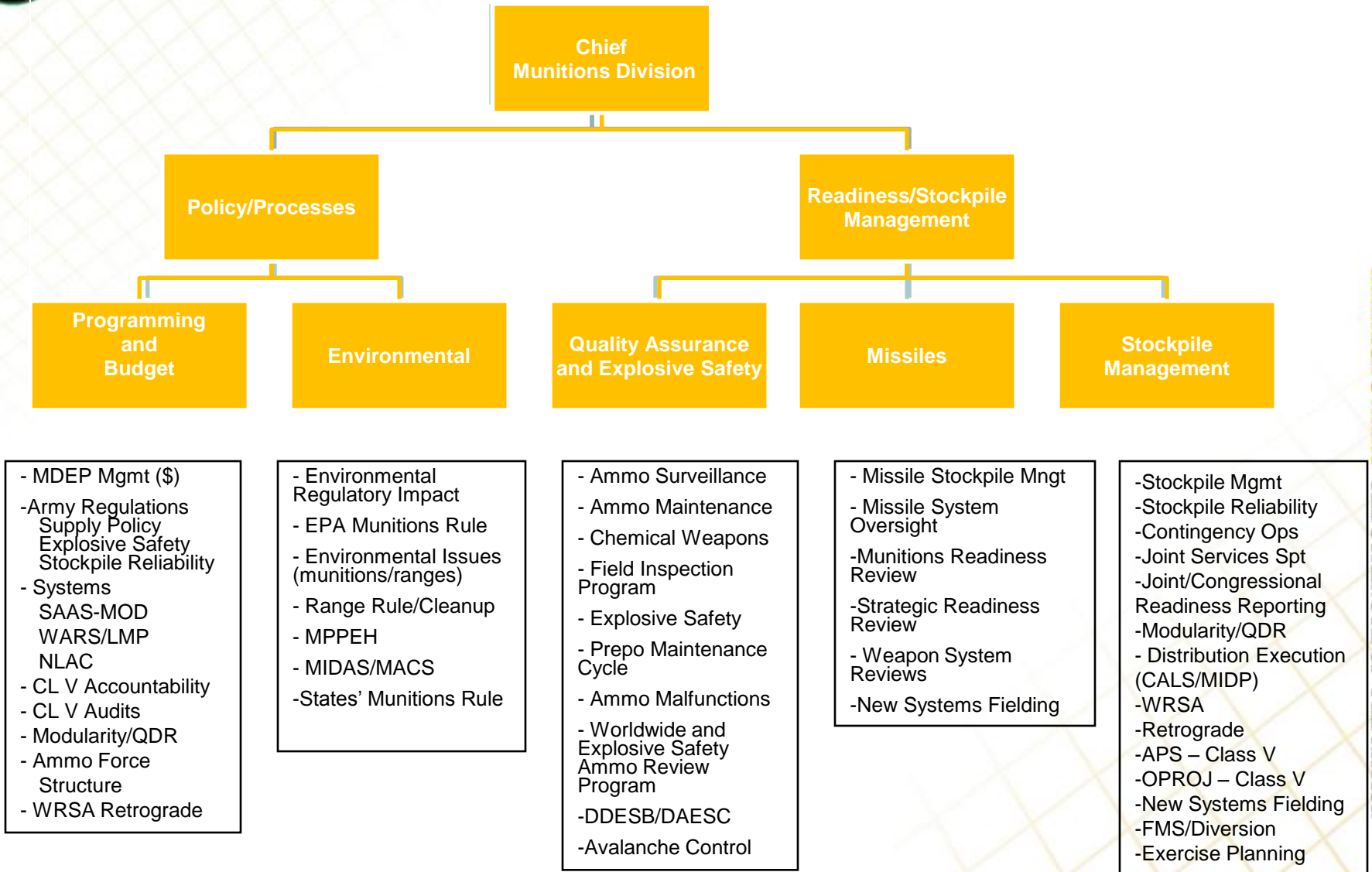
(Rounds)

DEMIL



Organizational Structure

UNCLASSIFIED





TOP 10

UNCLASSIFIED

- | | |
|--|-------------------------|
| 1. Current Operations | Ms. Carlson/Mr. Young |
| 2. G-4 Transformation | ALL |
| 3. Stockpile Distribution / Reporting | Ms. Carlson |
| 4. Ammo Readiness POM/Budget/ Industrial base * | Mr. Carr |
| 5. Munitions Environmental Policies * | Mr. Dallstream |
| 6. Stockpile Readiness (Surveillance & Maintenance)* | Mr. Young |
| 7. Centralized Ammunition Management | Mr. Young/Mr. Carr |
| 8. CALs and Missile Distribution * | Ms. Carlson/Mr. Mattero |
| 9. Future Ammunition Logistics System | CW5 Lewis |
| 10. Future Ammunition Logistics Force | CW5 Lewis |

* Extra visibility periodically



CONVENTIONAL AMMUNITION READINESS

**AACS
SINGLE
MANAGER**

**CONVENTIONAL AMMO
MANAGEMENT AMC (OMA)**

**DOD EXPLOSIVE SAFETY
DDESB (RDT&E)**

**AANS
NON-SMCA**

CMD AMC, (OMA)

**CMD USAMC, USARPAC,
HQDA (OMA)**

ARMY SAFETY (OMA) DA

NLAC (OMA) DA

**ARMY EXPLOSIVE
SAFETY DAC (RDT&E)**

**MUNITIONS SURVIVABILITY
& LOGISTICS (RDT&E)**

**ASTC
TOXIC CHEM
STORAGE**

**CHEMICAL WEAPON
STOCKPILE STORAGE
CMA (OMA)**

**ASDE
CONVENTIONAL
AMMO DEMIL
PEO AMMO**

**MISSILE DEMIL
(PAA)**

**CONVENTIONAL AMMO
DEMIL (PAA) SMCA**

**CONVENTIONAL AMMO
DEMIL (PAA) NON-SMCA**

**NON ARMY MISSILE
DEMIL (PAA)**

**CONVENTIONAL AMMO
DEMIL RDT&E**

OMA Funding

PAA
RDT&E

AMERICA'S ARMY: THE STRENGTH OF THE NATION™



Conventional Ammunition Demilitarization

- As the Single Manager for Conventional Ammunition (SMCA), the Army is responsible for programming, budgeting and execution of the conventional ammunition demilitarization for all the Services
 - Munitions identified as SMCA managed
 - Non-SMCA managed
 - Non-Army missiles
 - Army Missiles



The Program Objective Memorandum (POM) Process

- ❑ Requirements Build:
 - Demil Costs
 - Generations
 - Stockpile Reduction
- ❑ Sustaining Program Evaluation Group (PEG) Briefing:
 - Validation of Requirement
 - Establish Critical Level
- ❑ Prioritization:
 - G-4 Programs Prioritized
 - G-4 Total Obligation Authority Spread Based on Army Priorities



Where we are heading - "Sourcing Future Requirements"

- ❑ Retrograde and redistribution from OEF
- ❑ Posturing for the "next" fight
- ❑ Redistribution to support Rebasing
- ❑ Support to COCOMs
- ❑ Future Ammunition Logistics System



Challenges

❑ Funding

▪ OMA

- Taking Risk in Surveillance, Stockpile Mgmt
 - Limits flexibility to redistribute
 - Increases depot release time

▪ PAA - Demil

- Growing demil stockpile creates storage inefficiencies
- Postpones Demil to out years, more expensive
- Cluster Munitions Demil

❑ Administration Relook of Current Treaties

❑ Distribution Management

- Asset distribution/Visibility
- Rightsizing World-Wide inventory to meet war fighters need.
- Accurate forecasting (What, Where, How Much and When)



Munitions Division Personnel

Ms. Susan Carlson (Division Chief)	703 614-1191
Mr. Jim Young (QASAS)	703 614-3857
Mr. Steve Carr (Ammo Manager)	703 614-1151
CW5 William Lewis	703 693-8919
Mr. Sam Dallstream (Ammo Manager)	703 614-4058
Mr. Frank Mattero (Missiles)	703 614-1216
Mr. Pat Moses	703 614-4039



QUESTIONS ?