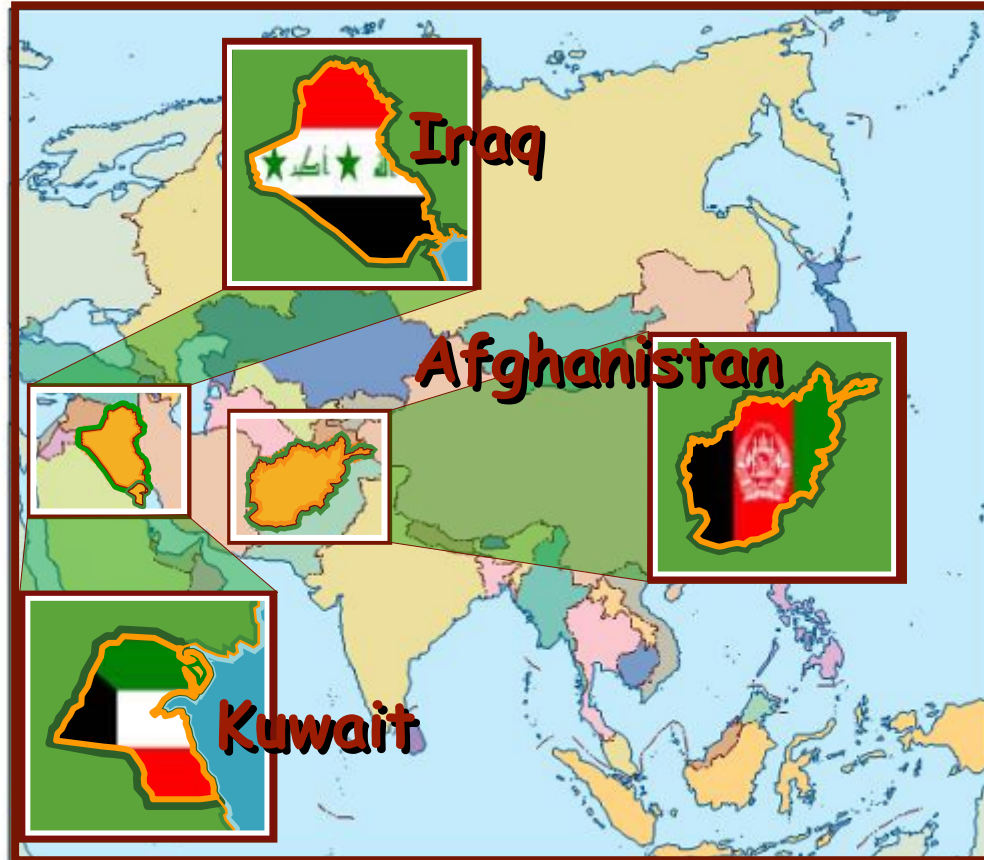




# ATEC Forward Operational Assessment Team





# AGENDA



- Mission
- Team Composition
- Primary Functions
- ATEC Theater Integration
- ATEC FOA Team Facts
- Contributions
- Questions/Comments



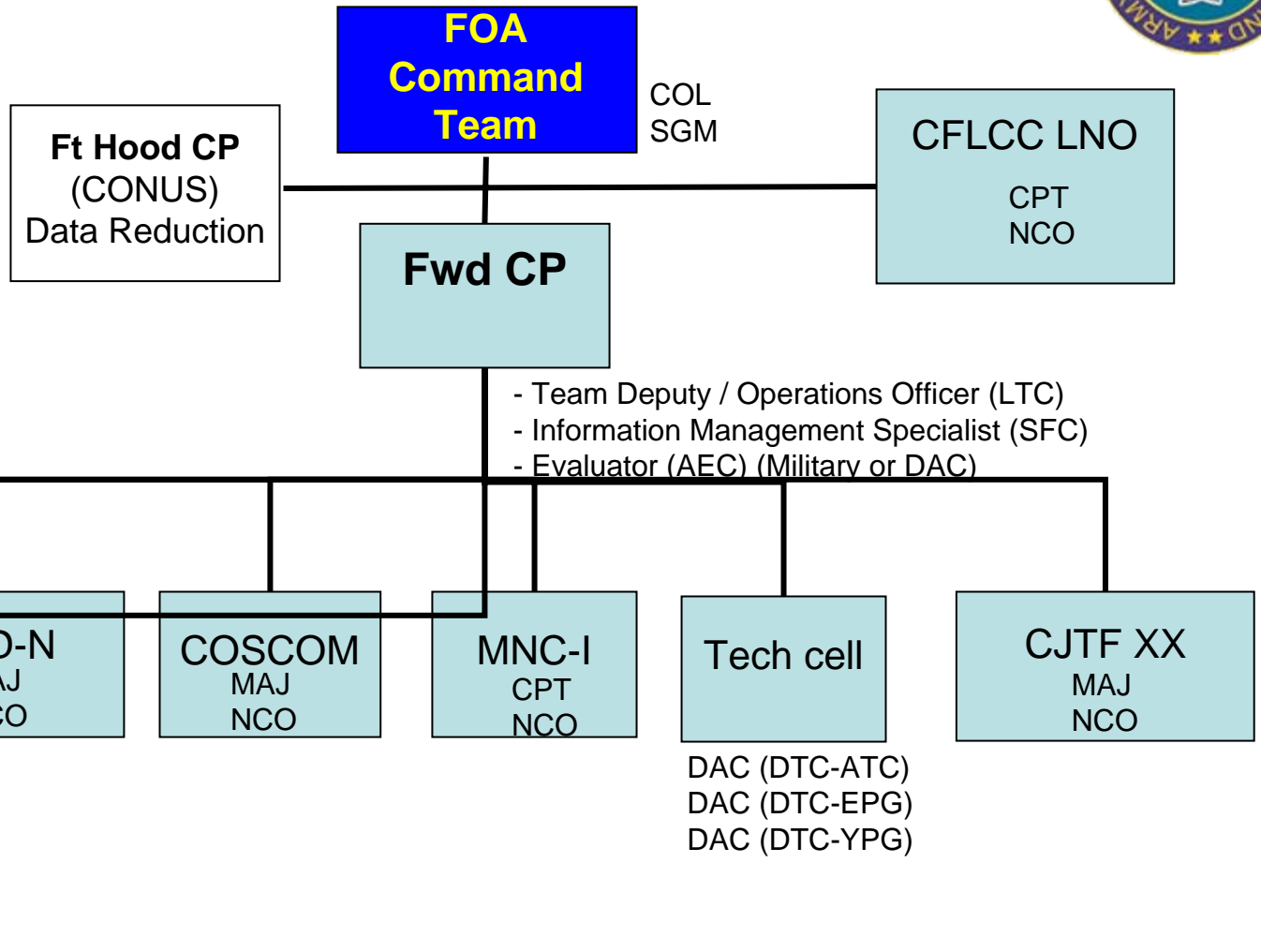
# ATEC FOA Mission

The United States Army Test and Evaluation Command (ATEC) Forward Operational Assessment Team deploys to CENTCOM to conduct liaison with MNC-I, CJTF-XX, CFLCC, and CENTCOM in order to plan, coordinate and integrate forward assessment, operational testing, evaluation and experimentation of selected systems.



# FOA Team Composition

**Personnel total 24:**  
 Colonel - 1  
 SGM - 1  
 Deputy - 1  
 CFLCC LNO - 1  
 Logistics - 1  
 Information Mngt - 1  
 Evaluator - 2  
 X-Pilots (DTC) - 2  
 Data Collectors - 11  
 Tech Specialist (DTC) - 3



2 x Experimental Pilots  
(DTC-ATTC)

Alternates: - LTC  
 - MAJ  
 - NCO x2  
 - DAC



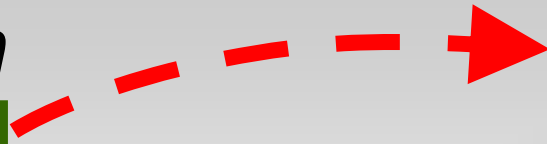
# Primary Functions



- **Liaise with commands in theater**
- **Collect data and report on specified systems**
- **Conduit of information between theater and CONUS**
- **Provide ATEC HQs with theater priorities for testing in CONUS**



# ATEC Fwd Integration



JIEDDO-Iraq

CJTF Troy

JCCS-I

MNF-I S&T

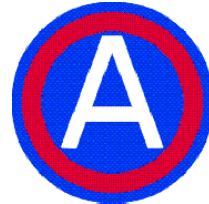
REF-Iraq

MNC-I C3 INTEGRATION



AMC FAST  
AMC Fld Spt Bde  
AMC LNO  
HQDA G8 LNO  
PEO C3T LNO  
PEO IEWS LNO  
Fielding PMs

MNC-I FORCE MOD  
MNC-I C2 OPS  
MNC-I C4  
MNC-I EWCC (G)  
MNC-I KMO  
MNC-I C7 EHCC  
CEXC



ASA(ALT) LNO  
HQDA G8 LNO  
REF-Kuwait  
AMC-Kuwait

MNC-I C-RAM LNO  
JIEDDO-A (TF Paladin)  
JOINT CREW OFFICE  
REF-A

CFLCC C3

CJTF XX FMD



# **ATEC FOA Team Facts**



- **ATEC presence in theater for 3+ years**
- **Collected data and reported data on 200+ systems**
- **Significant contributions to up-armoring efforts**
- **Significant contributions in EW system performance and interoperability**



# The Most Important Contributions



- **Getting system capabilities and limitations to leaders**
- **Linking in-theatre leadership and their issues back to CONUS**
  - **Testing priorities**
- **Technical expertise on the ground helping to solve challenges**
  - **Ballistic properties of armoring solutions**
  - **Electronic countermeasure system support**
- **Total ATEC effort to support the theatre on armoring efforts**





**COMMENTS/QUESTIONS**